

LF-GIR003YS(B)xxxxH/H(D)

220-240VAC Flicker-Free LED Driver Designed for Built-in Assembling

Product Description

LF-GIR003YS(B)xxxxH/H(D) is a 3W isolated constant current LED driver. It has a compact size with a plastic casing. Its rated input voltage ranges from 220VAC to 240VAC. It has two output voltage ranges. One is 2-4VDC with output currents of 700mA, 600mA, 350mA and 300mA. The other is 5-10VDC with a output current of 300mA.

Feature

- IP20
- Electrical type: isolated driver (suitable for Class II light fixtures)
- Description: 220-240VAC flicker-free LED driver for built-in assembly
- Product feature: percent flicker $\leq 0.9\%$
- Warranty: 5 years (Please refer to the warranty condition.)
- Certification: CE, CB, RCM, SAA, CCC

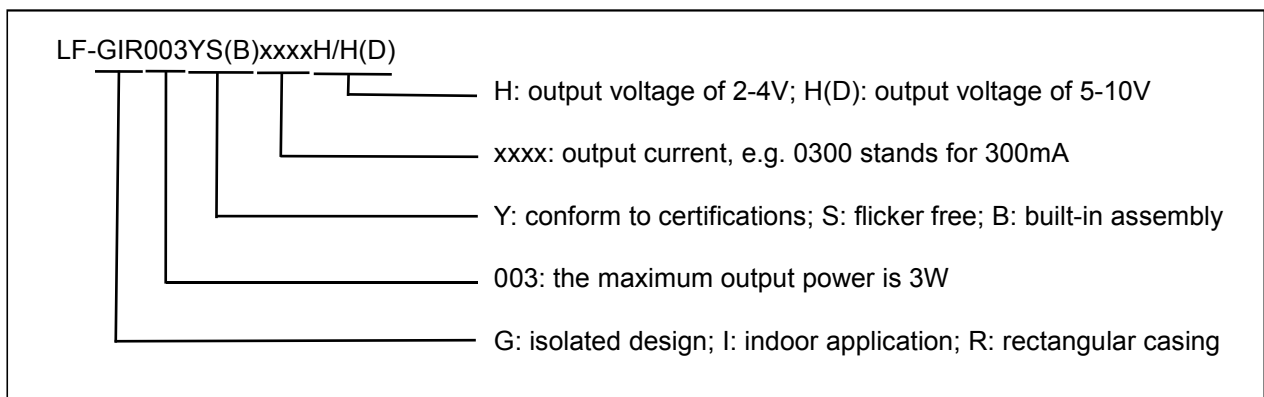


Application

- Down light
- Spot light
- Wall light



Product Naming



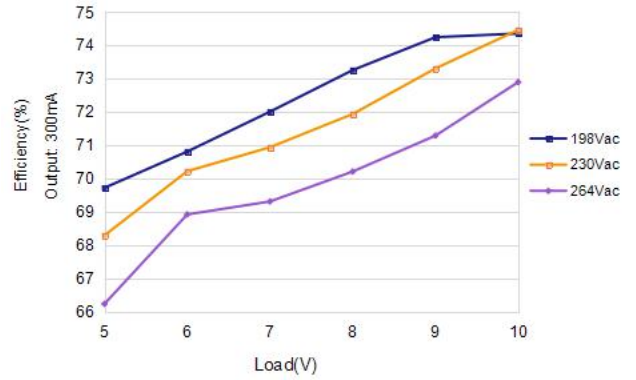
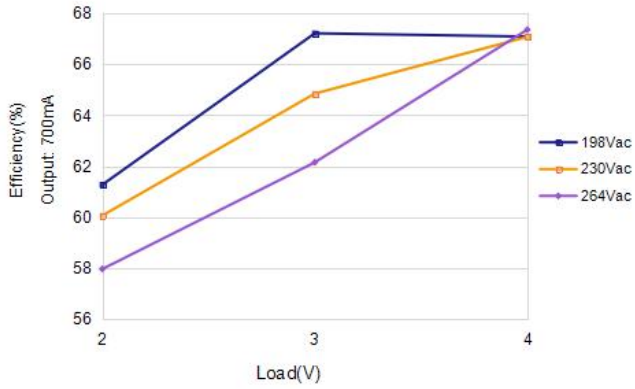
Electrical Characteristic

Model		LF-GIR003YS(B)				
Output	Output Voltage	2-4VDC				5-10VDC
	Output Current	700mA	600mA	350mA	300mA	300mA
	Percent Flicker (Fluctuation Depth)	<0.9%				
	Current Accuracy	±7% @220-240VAC				
	Temperature Drift	±10%				
	Start-up Time	<0.5S@230VAC				
Input	Input Voltage	220-240VAC (voltage limit: 198-264Vac)				
	DC Input Voltage	280-340VDC				
	Input Frequency	47Hz-63Hz				
	Input Current	0.06A Max.				
	Power Factor	≥0.43	≥0.41	≥0.37	≥0.35	≥0.40
	Efficiency	≥65%	≥64%	≥56%	≥56%	≥70%
	In-rush Current	≤30A & 100uS @230VAC				
	The Load Quantity that the Circuit Breaker can Carry	Circuit Breaker Model	B10	B16	C10	C16
		Quantity (pcs)	38	60	64	102
	Leakage Current	≤0.7mA				
Standby Power Consumption	≤0.5W					
Protection Characteristic	Open Circuit Protection	<16V				<35V
	Short Circuit Protection	Hiccup mode (auto-recovery)				
Environment Description	Working Temperature	-20℃~+50℃				
	Working Humidity	20-90%RH (no condensation)				

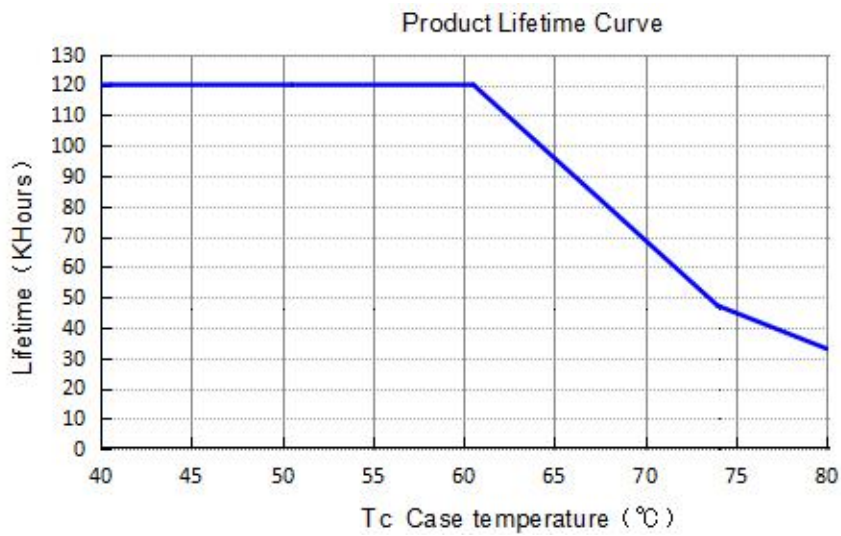
	Storage Temperature/ Humidity	-50℃~+85℃ (six months under class I environment); 10-95%RH (no condensation)
	Atmospheric Pressure	86KPa~106KPa
Safety and Electromagnetic Compatibility	Certification	CE, CB, RCM, SAA, CCC
	Withstanding Voltage	I/P-O/P: 3.75KV, 5mA, 60S
	Insulation Resistance	I/P-O/P: 500VDC, >100MΩ
	Safety Standard	EN 61347-2-13: 2014/A1: 2017, EN 61347-1: 2015, EN 62493: 2015 IEC 61347-1: 2015, IEC61347-2-3: 2014, IEC 61347-2-13: 2014/AMD1: 2016 AS 61347.2-13: 2018 GB19510.1-2009, GB19510.14-2009
	EMI	EN55015, EN61000-3-2, EN61000-3-3 GB/T17743, GB17625.1, GB17625.2
	EMS	EN61000-4-2, 3, 4, 5 (lightning strike of 1KV), 6, 11 GB/T17626.2, 3, 4, 5 (lightning strike of 1KV), 6, 11
Others	IP Rating	IP20
	RoHS	RoHS 2.0 (EU) 2015/863
	Warranty	5 yrs (TC≤74℃)
Remark	<p>1. It is recommended that customers should install overvoltage and undervoltage protection devices and surge protection devices to ensure safety before connecting to electricity.</p> <p>2. As an accessory, the LED driver is not the only factor determining the EMC performance of the LED light fixture. The structure and the wiring of the light fixture are also relevant. Thus it's strongly recommended the LED light fixture manufacturer should re-confirm the EMC of the whole LED light fixture.</p> <p>3. The test conditions of the configuration quantity of the circuit breaker are the same as those of the in-rush current test.</p> <p>4. Unless otherwise stated, the parameters of the power factor and efficiency are the test results under the ambient temperature of 25±5℃, the humidity of 50%, the input voltage of 230VAC and full load.</p>	

Product Characteristic Curve

Efficiency Curve



Lifetime Curve



Wire Colour

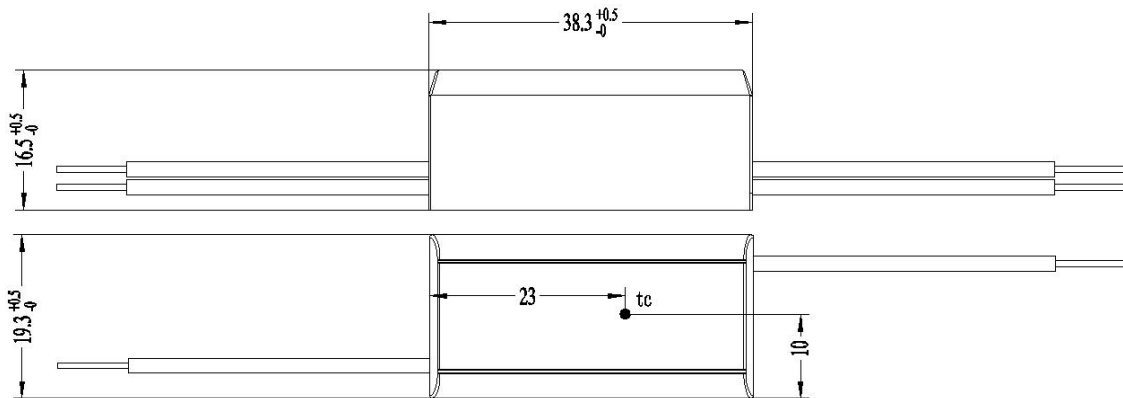
INPUT	
AC-L	Brown wire
AC-N	Blue wire

OUTPUT	
LED-	Black wire
LED+	Red wire

Label

PRI 棕色 ○ BROWN AC-L AC-N ○ BLUE 蓝色	<p>LIFUD LED Driver (LED控制装置)</p> <p>Model: LF-GIR003YS(B)xxxxH</p> <p>Input: 220-240V ~ 50/60Hz Max. 0.06A</p> <p>Output Voltage: xx-xxV --- Prated: xxW ta: 50°C</p> <p>Uout: xxV --- Irated: xxxmA(CC) PF: >xxC tc: 75°C</p> <p>For LED modules only www.lifud.com Made in China (中国制造)</p>	SEC 黑色 ○ BLACK LED- LED+ ○ RED 红色
--	--	---

Structure & Dimension (Unit: mm)



Input Wire		Output Wire	
Length (mm)	Tinned (mm)	Length (mm)	Tinned (mm)
100 ± 5	5	180 ± 5	5

Input wire: 2*0.75mm² Ø2.8±0.3mm; output wire: 2*0.5mm² Ø2.2±0.3mm

Package Specification

Model	LF-GIR003YS(B)xxxxH/H(D)
Box Size	385*285*210 mm (L*W*H)
Quantity	36 pcs/layer; 7 layers/ctn; 252 pcs/ctn
Weight	0.021 kg/pc; 6.1 kg/ctn

Transportation & Storage

1. Transportation

Transportation means: vehicles, boats and aircraft.

During transportation, there should be awnings for rain protection and sun protection. Civilized loading and unloading are required. There should be no severe vibration or impact.

2. Storage

Storage in accordance with the provisions of the Class I environment. Products which have been stored for more than six months must be re-inspected. Use them only if they can pass the re-inspection.

Attention

- * Use this product according to the specifications, please. Otherwise there may be malfunction.
- * Use luminaires that have not been certified or are not compatible with the drivers may cause fire, explosion or other hazards.
- * Man-made damage is not covered by warranty.

Remark: The final interpretation right of the contents of this data sheet belongs to Lifud Technology Co., Ltd.

Change Resume

Version	Content of Change	Date	Remark
V0.1	Initial release	11 MAR 2020	
V1.0	Formal release	22 APR 2020	Updated according to the latest template
V1.1	1. Added the load quantity that the circuit breaker can carry 2. Added the length tolerance of the wires 3. Changed the packaging	18 MAY 2020	